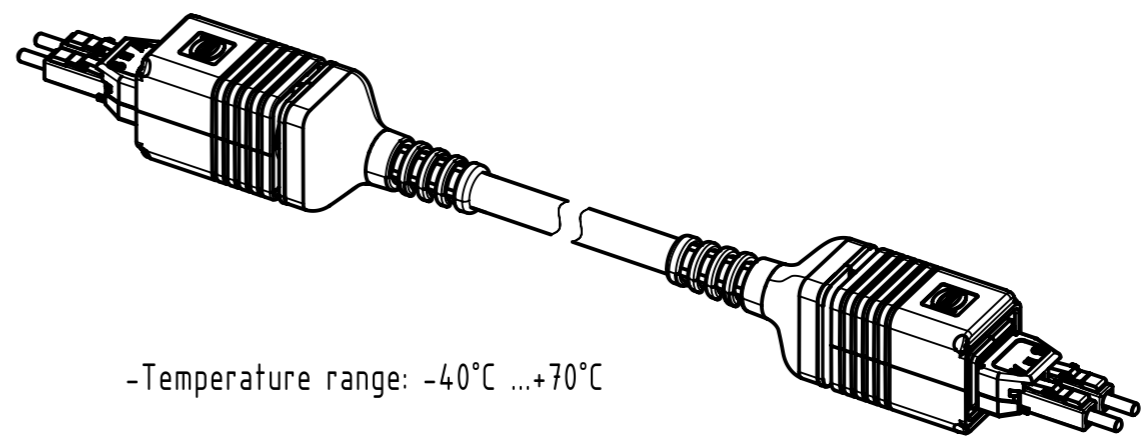


22	33582311000026		100
21	33582310900026		90
20	33582310800026		80
19	33582310700026		70
18	33582310600026		60
17	33582310500026		50
16	33582310400026		40
15	33582310300026		30
14	33582310250026		25
13	33582310200026		20
12	33582310180026		18
11	33582310150026		15
10	33582310100026		10
9	33582310090026		9
8	33582310080026		8
7	33582310070026		7
6	33582310060026		6
5	33582310050026		5
4	33582310040026		4
3	33582310030026		3
2	33582310020026		2
1	33582310010026		1
Cont. no.	Part no.	Type of cable	Dim. a[m]

Fiber Optic Breakout Cable,
SM 9/125µm, PUR



-Temperature range: -40°C ...+70°C

	All rights reserved Department HCS - RO	Created by STOCHECIC	Inspected by COSTEA	Standardisation MUNTEANV	Date 2018-07-16	State Final Release
	Title PP FO CAB-ASSY-2xPP Metal LCD SM OV		Number 3358231XXX0026		Doc-Key / ECM-Nr. 100567929/UGD/013/B 50000137710	
HARTING Customised Solutions D-32339 Espelkamp		Type TB	Rev. B		Page 1/1	